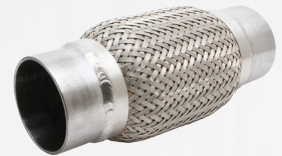
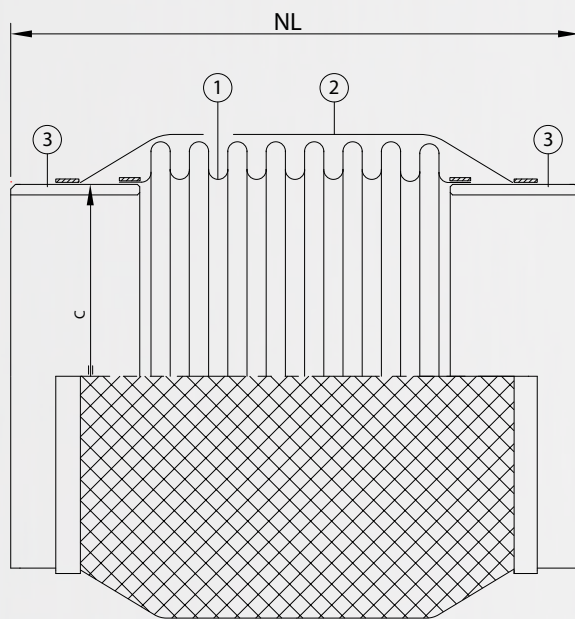


## STAINLESS STEEL BRAIDED CONNECTOR, TYPE RWB



### APPLICATIONS

A flexible connector for higher pressure applications in combination with lateral movements and vibration, for the use in thermal oil pipe systems. This type of connector is basically meant to accommodate universal lateral movements (vibration) only. Type RWB provided with welding ends.



### TECHNICAL DESCRIPTION

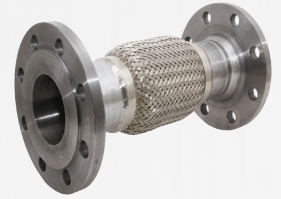
- Bellow (1) : AISI 316
- Braiding (2) : AISI 304
- Welding ends (3) : Carbon Steel

Values given in column vibration are only applicable at a max pressure of 10 bars

DATA TABLE					
DN	Lateral Deflection	Vibration	Weld ends Diam. "c"	NL Neutral Length	Max. Pressure
mm (in.)	mm	mm	mm	mm	bar/250°C
40(1.1/2)	5	2	48,3 x 3,7	266	16
50(2)	5	2	60,3 x 2,9	264	16
65(2.1/2)	4	1.2	76,1 x 2,9	257	16
80(3)	4	1.2	88,9 x 3,2	266	16
100(4)	3	0,7	114,3 x 3,6	260	16
125(5)	3	0,7	139,7 x 4	262	16
150(6)	2	0,7	168,3 x 4,5	256	16
200(8)	2	0,7	219,1 x 6,3	295	16
250(10)	2	0,7	273,1 x 6,3	435	10

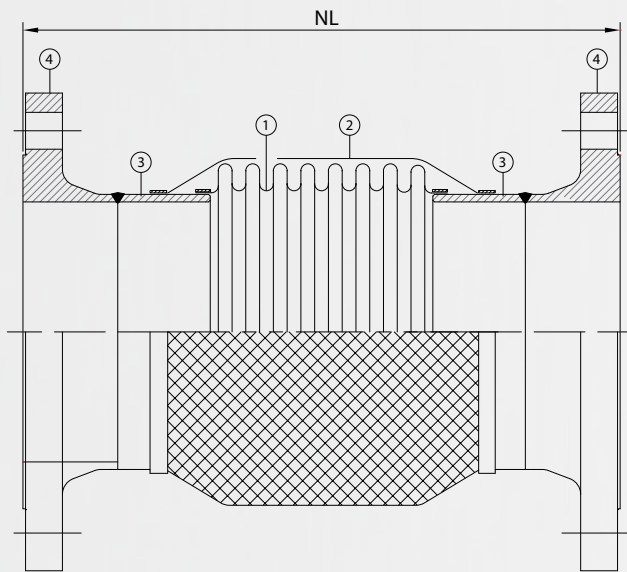
\*For combined movements, consult AmniTec BV.

## STAINLESS STEEL BRAIDED CONNECTOR, TYPE RFB



### APPLICATIONS

A flexible connector for higher pressure applications in combination with lateral movements and vibration, for the use in thermal oil pipe systems. This type of connector is basically meant to accommodate universal lateral movements (vibration) only. Type RFB provided with flanges.



### TECHNICAL DESCRIPTION

Bellow (1)	: AISI 316
Braiding (2)	: AISI 304
Welding ends (3)	: Carbon Steel
Flanges (4)	: Carbon Steel, PN 16

Values given in column vibration are only applicable at a max pressure of 10 bars

#### DATA TABLE

DN	Lateral Deflection	Vibration	NL Neutral Length	Max. Pressure
mm (in.)	mm	mm	mm	bar/250°C
40(1.1/2)	5	2	366	16
50(2)	5	2	354	16
65(2.1/2)	4	1.2	347	16
80(3)	4	1.2	366	16
100(4)	3	0,7	364	16
125(5)	3	0,7	372	16
150(6)	2	0,7	366	16
200(8)	2	0,7	419	16
250(10)	2	0,7	580	10

\*For combined movements, consult AmniTec BV.